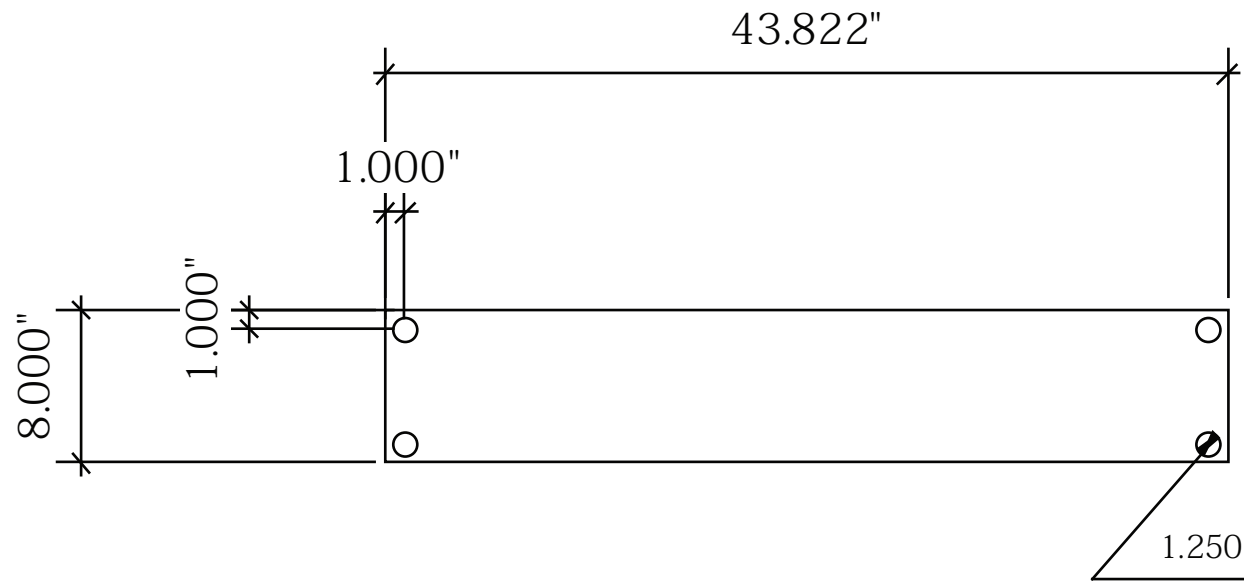


Product Name: MOD-1170
Process: Print-On-It
Material: 1/8" sintra
Effective Date: 11/13/2013



NOTE: Graphic files must be @ 150 dpi Finished Size.
DO NOT send Flattened Files. Production can not manipulate
the content, proportion or color of these files.

****NOTE: Test frames may be required for guaranteed fitting of graphics****